



### Construction

Single-impeller submersible pumps in chrome-nickel stainless steel, with vertical delivery port.

**GXR:** with open impeller.

**GXV:** with free-flow (vortex) impeller.

Motor cooled by the pumped water passing between the motor jacket and the external jacket.

Double shaft seal with oil chamber.

### Applications

- GXR:**
- For clean water containing solids up to 10 mm grain size.
  - For draining rooms or emptying tanks.
  - Extraction of water from ponds, streams or pits and for rainwater collection.
  - For irrigation purposes.

- GXV:**
- For clean or slightly dirty water, containing solids up to 25 mm grain size.
  - Particularly suitable for liquids with a high solid content.

For outdoor use a power supply cable of not less than 10 m should be used in accordance with: EN 60 335-2-41.

### Operating conditions

Liquid temperature up to 50° C.

Maximum immersion depth: 5 m.

Minimum water level with float: GXR = 70 mm, GXV = 130 mm.

Minimum water level manual operation: GXR = 15 mm, GXV = 30 mm.

Continuous duty.

### Materials

| Component            | Material                                       |
|----------------------|--|
| Pump casing          | Chrome-nickel steel 1.4301 EN 10088 (AISI 304) |
| Strainer             |  |
| Impeller             |  |
| Motor jacket         |  |
| Pump jacket          |  |
| Handle               | Polypropylene                                  |
| Shaft                | Chrome-nickel steel 1.4305 EN 10088 (AISI 303) |
| Mechanical seal      | Ceramic alumina/Carbon/NBR                     |
| Seal lubrication oil | Oil for food/pharmaceutical machinery          |

### Motor

2-pole induction motor, 50 Hz (n ≈ 2900 rpm).

**GXR, GXV:** three-phase 230 V ± 10%;  
three-phase 400 V ± 10%;

**GXRM, GXVM:** single-phase 230 V,  
with float switch and thermal protector.  
Incorporated capacitor.

Insulation class F.

Protection IP X8 (for continuous immersion)

Double impregnation humidity-proof dry winding.

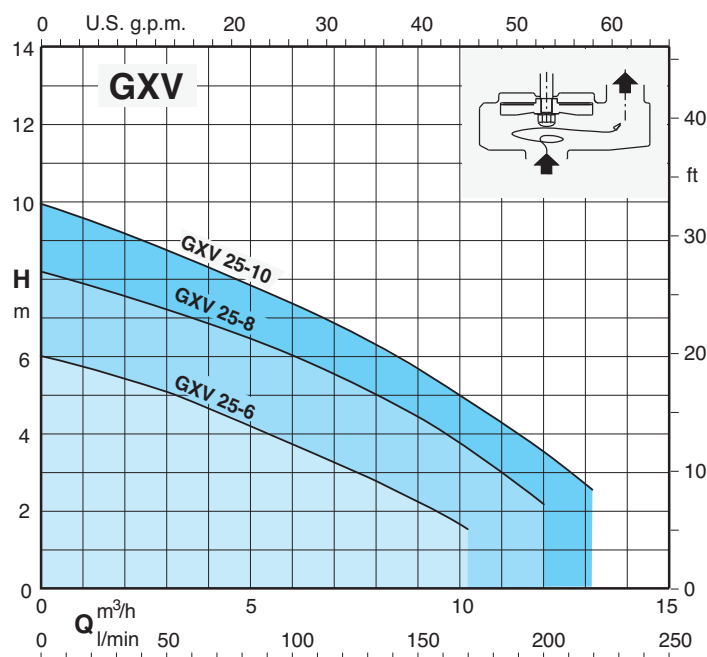
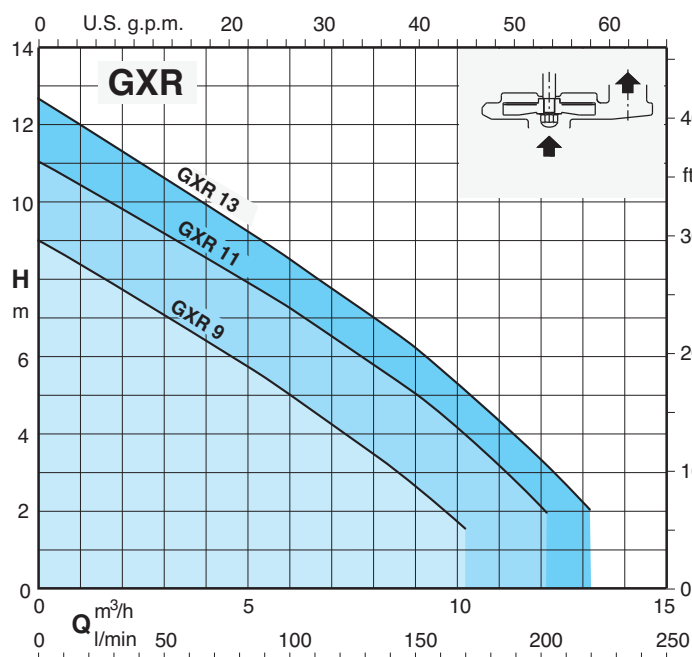
Constructed in accordance with: EN 60034-1;

EN 60335-1, EN 60335-2-41.

### Other features on request

- Other voltages. - Frequency 60 Hz. - Other mechanical seal. - Cable length 10 m.
- Vertical magnetic float switch. - Motor suitable for operation with frequency converter.

### Characteristic curves n ≈ 2900 rpm



### Performance n ≈ 2900 rpm

| 3~            | 230V 400V |     | 1~             | 230V Capacitor |      |     | P1   |      |      | P2         |       | Q    |      |     |     |     |     |     |     |      |    |      |
|---------------|-----------|-----|----------------|----------------|------|-----|------|------|------|------------|-------|------|------|-----|-----|-----|-----|-----|-----|------|----|------|
|               | A         | A   |                | A              | µf   | Vc  | kW   | kW   | HP   | m³/h       | l/min |      | 0    | 1,2 | 3   | 4,5 | 6   | 7,5 | 9   | 10,2 | 12 | 13,2 |
| <b>GXR 9</b>  | 1,6       | 0,9 | <b>GXRM 9</b>  | 2,5            | 8    | 450 | 0,5  | 0,25 | 0,33 | <b>H m</b> | 9     | 8,3  | 7    | 6   | 4,8 | 3,6 | 2,5 | 1,7 |     |      |    |      |
| <b>GXR 11</b> | 2,3       | 1,3 | <b>GXRM 11</b> | 3,5            | 12,5 | 450 | 0,7  | 0,37 | 0,5  |            | 11    | 10,4 | 9,5  | 8,5 | 7,5 | 6,5 | 5,3 | 4,2 | 2,2 |      |    |      |
| <b>GXR 13</b> | 2,8       | 1,6 | <b>GXRM 13</b> | 4,5            | 16   | 450 | 0,95 | 0,45 | 0,6  |            | 12,7  | 11,7 | 10,7 | 9,7 | 8,5 | 7,3 | 6,3 | 5,2 | 3,2 | 2    |    |      |

| 3~               | 230V 400V |     | 1~                | 230V Capacitor |      |     | P1   |      |      | P2         |       | Q   |     |     |     |     |     |     |     |      |    |      |
|------------------|-----------|-----|-------------------|----------------|------|-----|------|------|------|------------|-------|-----|-----|-----|-----|-----|-----|-----|-----|------|----|------|
|                  | A         | A   |                   | A              | µf   | Vc  | kW   | kW   | HP   | m³/h       | l/min |     | 0   | 1,2 | 3   | 4,5 | 6   | 7,5 | 9   | 10,2 | 12 | 13,2 |
| <b>GXV 25-6</b>  | 1,6       | 0,9 | <b>GXVM 25-6</b>  | 2,5            | 8    | 450 | 0,5  | 0,25 | 0,33 | <b>H m</b> | 6     | 5,7 | 5,2 | 4,5 | 3,8 | 3   | 2,2 | 1,5 |     |      |    |      |
| <b>GXV 25-8</b>  | 2,3       | 1,3 | <b>GXVM 25-8</b>  | 3,5            | 12,5 | 450 | 0,7  | 0,37 | 0,5  |            | 8,2   | 7,8 | 7,2 | 6,7 | 6,1 | 5,4 | 4,5 | 3,6 | 2,2 |      |    |      |
| <b>GXV 25-10</b> | 2,8       | 1,6 | <b>GXVM 25-10</b> | 4,5            | 16   | 450 | 0,95 | 0,45 | 0,6  |            | 10    | 9,5 | 8,7 | 8   | 7,3 | 6,5 | 5,7 | 4,9 | 3,7 | 2,6  |    |      |

P1 Max. power input.

P2 Rated motor power output.

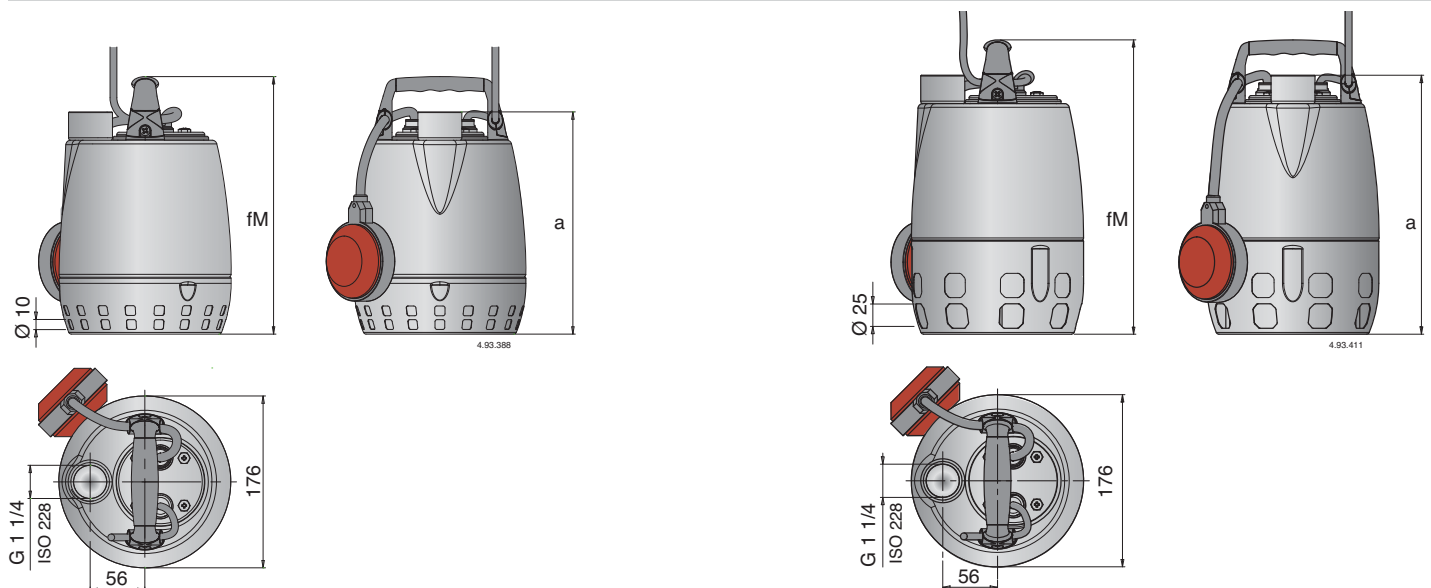
Density ρ = 1000 kg/m³.

Kinematic viscosity ν = max 20 mm²/sec.

Tolerances according to UNI EN ISO 9906:2012

| Pump type                       | Power supply cable |            |        |                 | Float switch   |         |
|---------------------------------|--------------------|------------|--------|-----------------|----------------|---------|
|                                 | Cable material     | Section    | Length | Plug CEE 7(VII) | Cable material | Section |
| GXRM 9<br>GXVM 25-6             | H05RN-F            | 3G0,75 mm² | 5 m    | YES             | H07RN-F        | 3G1 mm² |
| GXRM 11, 13<br>GXVM 25-8, 25-10 | H07RN-F            | 3G1 mm²    | 5 m    | YES             | H07RN-F        | 3G1 mm² |
| GXR 9<br>GXV 25-6               | H05RN-F            | 4G0,75 mm² | 5 m    | NO              | NO             | -       |
| GXR 11, 13<br>GXV 25-8, 25-10   | H07RN-F            | 4G1 mm²    | 5 m    | NO              | NO             | -       |

### Dimensions and weights



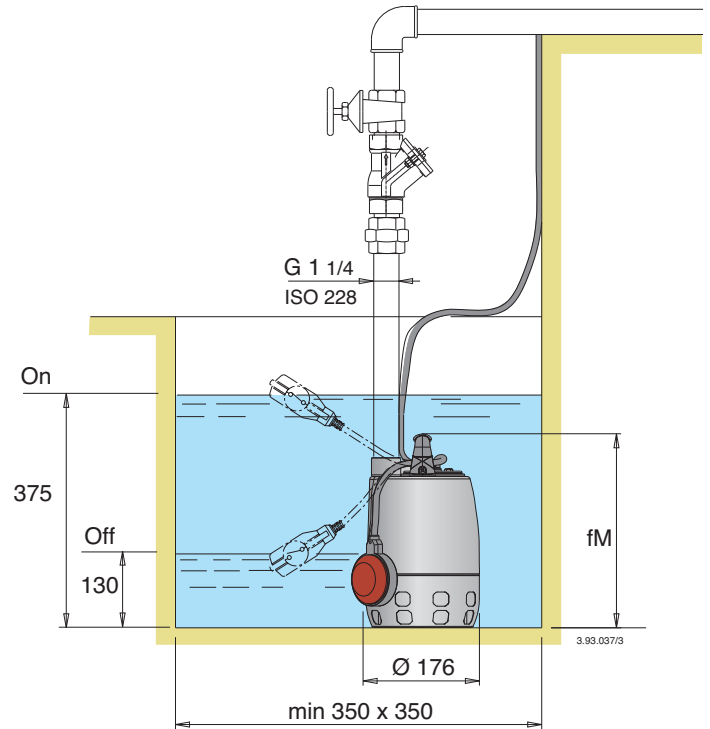
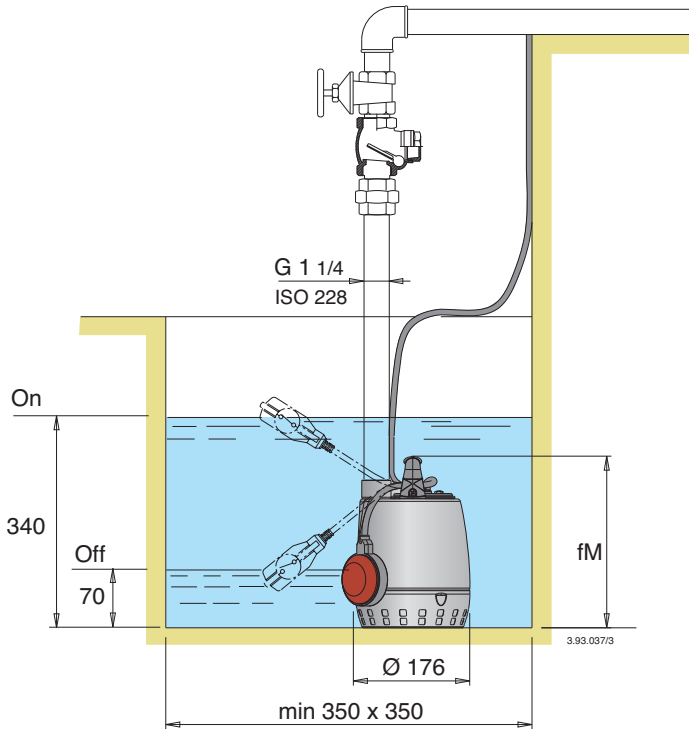
| TYPE                    | Dimensions mm |     | (1) kg |      |
|-------------------------|---------------|-----|--------|------|
|                         | fM            | a   | GXR    | GXRM |
| <b>GXR 9 - GXRM 9</b>   | 265           | 230 | 5      | 5,2  |
| <b>GXR 11 - GXRM 11</b> | 300           | 265 | 6,2    | 6,5  |
| <b>GXR 13 - GXRM 13</b> | 300           | 265 | 6,7    | 7,2  |

| TYPE                          | Dimensions mm |     | (1) kg |      |
|-------------------------------|---------------|-----|--------|------|
|                               | fM            | a   | GXV    | GXVM |
| <b>GXV 25-6 - GXVM 25-6</b>   | 302           | 267 | 5,1    | 5,3  |
| <b>GXV 25-8 - GXVM 25-8</b>   | 337           | 302 | 6,3    | 6,6  |
| <b>GXV 25-10 - GXVM 25-10</b> | 337           | 302 | 6,8    | 7,3  |

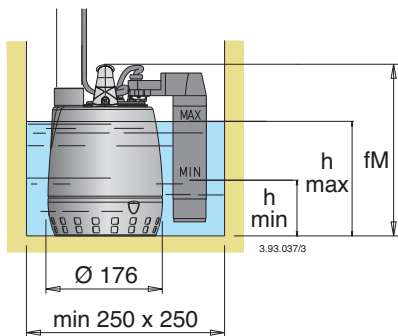
(1) With cable length: 5 m

(1) With cable length: 5 m

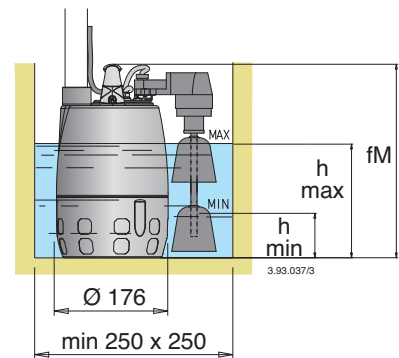
### Installation examples



### Installation examples with vertical magnetic float switch



| TYPE              | mm  |       |       |
|-------------------|-----|-------|-------|
|                   | fM  | h min | h max |
| <b>GXRM 9 GF</b>  | 265 | 100   | 190   |
| <b>GXRM 11 GF</b> | 300 | 135   | 225   |
| <b>GXRM 13 GF</b> | 300 | 135   | 225   |



| TYPE                  | mm  |       |       |
|-----------------------|-----|-------|-------|
|                       | fM  | h min | h max |
| <b>GXVM 25-6 GFA</b>  | 302 | 70    | 150   |
| <b>GXVM 25-8 GFA</b>  | 337 | 70    | 185   |
| <b>GXVM 25-10 GFA</b> | 337 | 70    | 185   |

## Features

PATENTED

G 1 1/4 vertical, upward delivery port for installation in small pits, without the need for an elbow on the pump.

Minimum dimension and high levels of performance, for use in many different applications, head up to 12,7 m and flow rates up to 220 liters/min.

Easy adjustment of the float switch: to allow the adjustment of start/stop pump levels.

Handle in polypropylene.

Easy inspection of the capacitor area.

Shaft in chrome-nickel stainless steel.

Motor cooled by the pumped water passing between the motor jacket and the external jacket.

Ceramic stainless steel shaft sleeve.

Oil chamber.

Suction strainer with a double row of holes, for extra safety against clogging.  
GXR: it allows the passage of solids up to 10 mm.

Impeller in chrome-nickel stainless steel.

GXR

GXV

Suction strainer with a double row of holes, for extra safety against clogging.  
GXV: it allows the passage of solids up to 25 mm.

The double shaft seal with oil chamber separates the motor from the water and provides further protection against accidental operation when dry.

