



Construction

Vertical column sump pumps, with motor in dry installation and with pump body submerged in the liquid handled (without suction line or foot valve).

Impeller - VAL: free-flow impeller (vortex or recessed impeller).
 - SC: open impeller.

Connection - VAL 30, SC 30, SC 50: threaded port ISO 228 (BS 2779).
 - VAL 65: flange with plain face oval threaded counter-flange UNI 2245, PN 2,5.

Applications

For draining a basin or a sump with domestic or industrial sewage. For slightly dirty waste water, for liquids which are non-aggressive for the pump materials.

Operating conditions

Liquid temperature up to 40 °C.
 Ambient temperature up to 40 °C.
 Continuous duty.
 Maximum size of solids: VAL 30 = 25 mm; VAL 65 = 50 mm;
 SC 30 = 3 mm; SC 50 = 6 mm.

Motor

2-pole induction motor, 50 Hz ($n \approx 2900$ rpm).
VAL -SC: three-phase 230/400 V $\pm 10\%$.
VALM-SCM: single-phase 230 V $\pm 10\%$, with thermal protector.
 Insulation class F.
 Protection IP 54.

Classification scheme IE2 for three-phase motors from 0,75 kW.
 Constructed in accordance with: EN 60034-1; EN 60034-30.
 EN 60335-1, EN 60335-2-41.

Special features on request

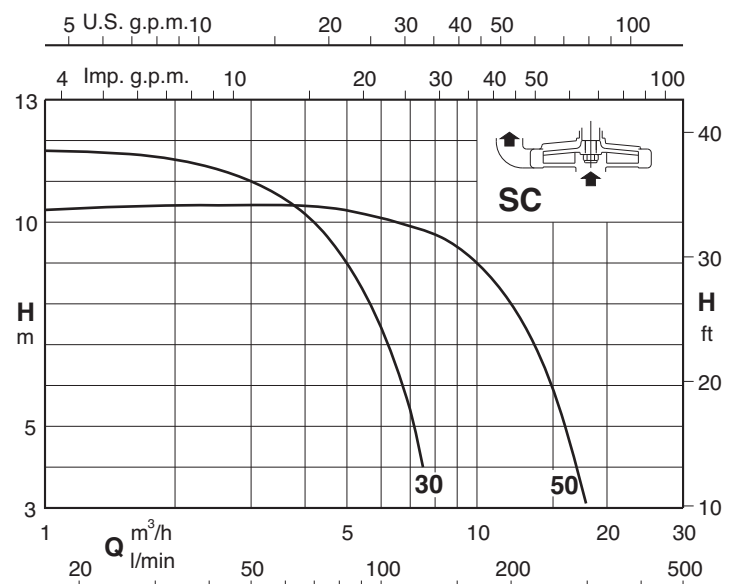
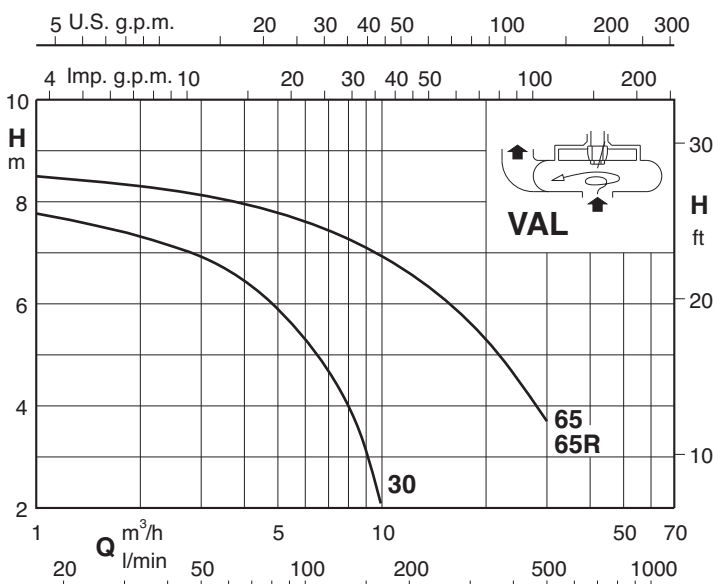
- Other voltages.
- Frequency 60 Hz (as per 60 Hz data sheet).
- Protection IP 55.
- Bronze bearing bush (for liquid up to 100 °C).
- Higher ambient temperatures.

Materials

Components	VAL	SC
Pump casing Lower bearing housing*	Cast iron GJL 200 EN 1561	Cast iron GJL 200 EN 1561
Impeller	Brass P-Cu Zn 40 Pb 2 UNI 5705 for VAL 30	Brass P-Cu Zn 40 Pb 2 UNI 5705
	Cast iron GJL 200 EN 1561 for VAL 65	
Shaft	Steel C 40 UNI 7231	
Bearing bush	Tecno polymer	
Shaft sleeve	Chromate bronze for VAL 65	-

* Not existing for VAL 30.

Characteristic Curves $n \approx 2900$ rpm



Performance $n \approx 2900$ rpm

	3 ~ 230V 400V		1 ~ 230V		P ₁		P ₂		Q m ³ /h l/min																				
	A	A	A	kW	kW	HP	m ³ /h	l/min		3	3,5	4	4,5	5	5,5	6	6,5	7	7,5	8	9	10	12	14	16	18	20	25	30
VAL 30/A	2,3	1,3	VALM 30/A	3,6	0,63	0,45	0,6	H m	50	58,3	66,6	75	83,3	91,6	100	108	116	125	133	150	166	200	233	266	300	333	416	500	
VAL 65E	7,5	4,3				1,5	2		6,7	6,5	6,2	5,9	5,6	5,3	5	4,7	4,3	4		7,1	6,9	6,6	6,3	6	5,6	5,3	4,5	3,7	
VAL 65-R/A	9,15	5,3				2,2	3													7,1	6,9	6,6	6,3	6	5,6	5,3	4,5	3,7	
SC 30/A	2,3	1,3	SCM 30/A	2,8	0,47	0,37	0,5		11	10,6	10,2	9,6	9	8,3	7,4	6,5	5,4	4											
SC 50/A	2,3	1,3	SCM 50/A	3,6	0,69	0,45	0,6						10,3	10,2	10,1	10	9,9	9,8	9,7	9,4	9	8	6,7	5	3				

P₁ Max. power input.

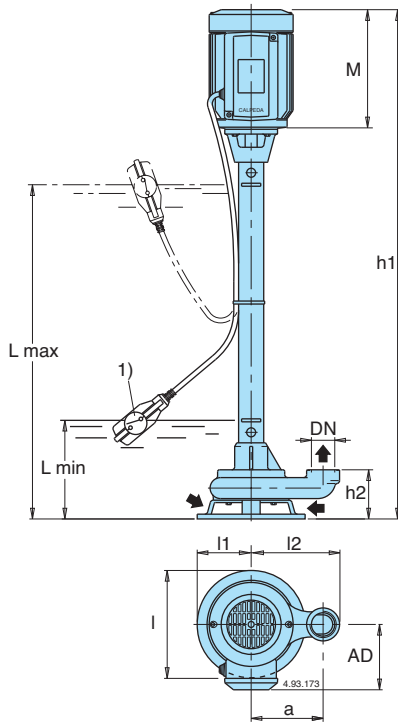
P₂ Rated motor power output.

H Total head in m.

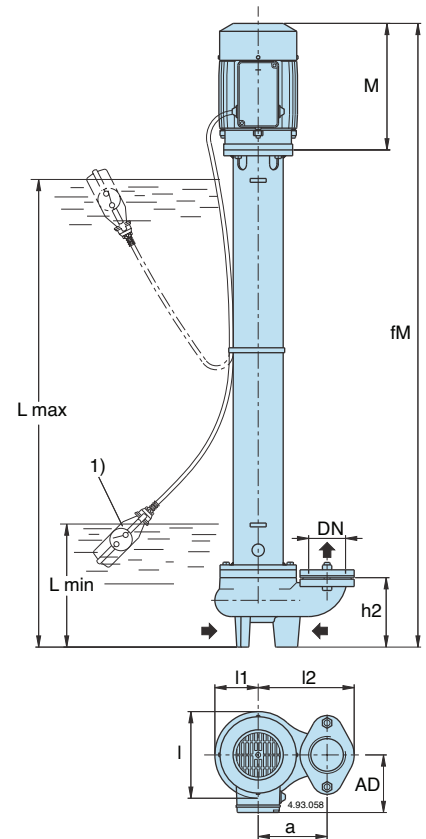
Tolerances according to UNI EN ISO 9906:2012

Dimensions and weights

VAL 30E
SC 30E
SC 50E



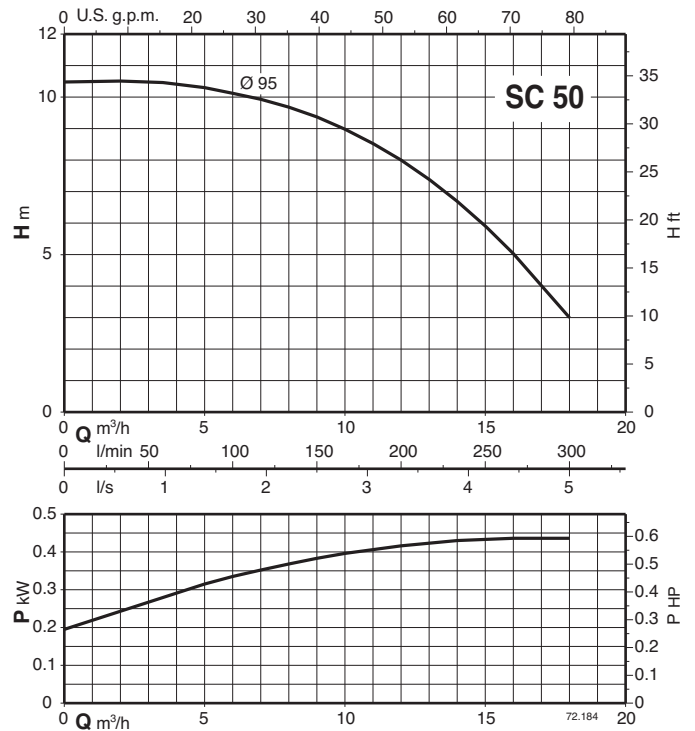
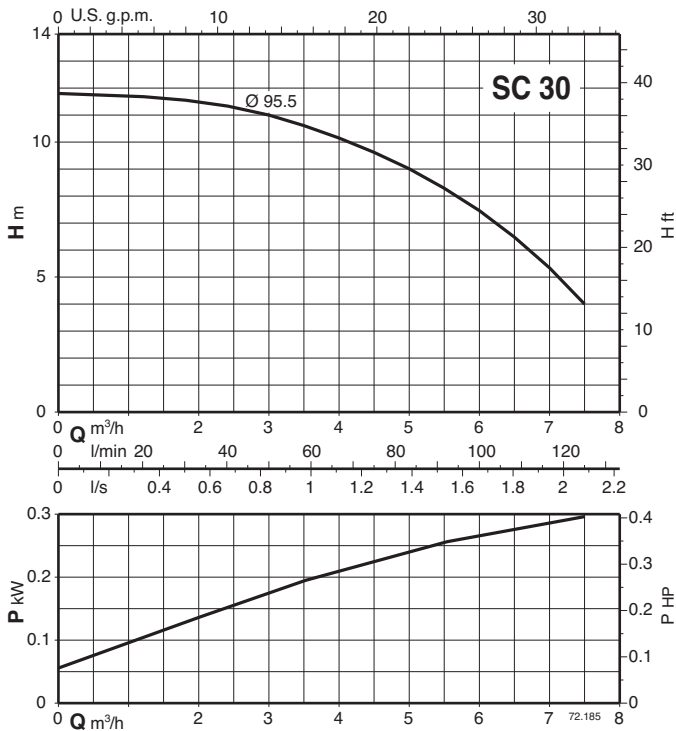
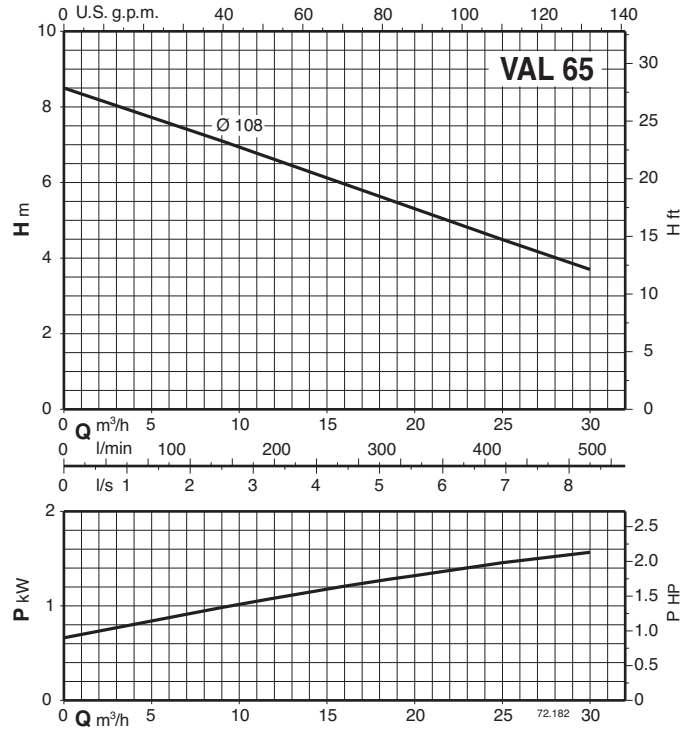
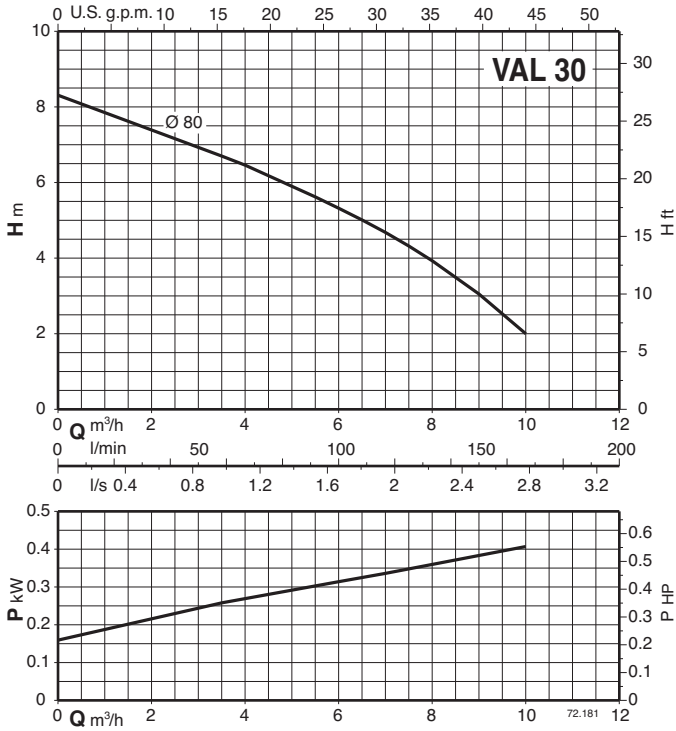
VAL 65E
VAL 65-R/A



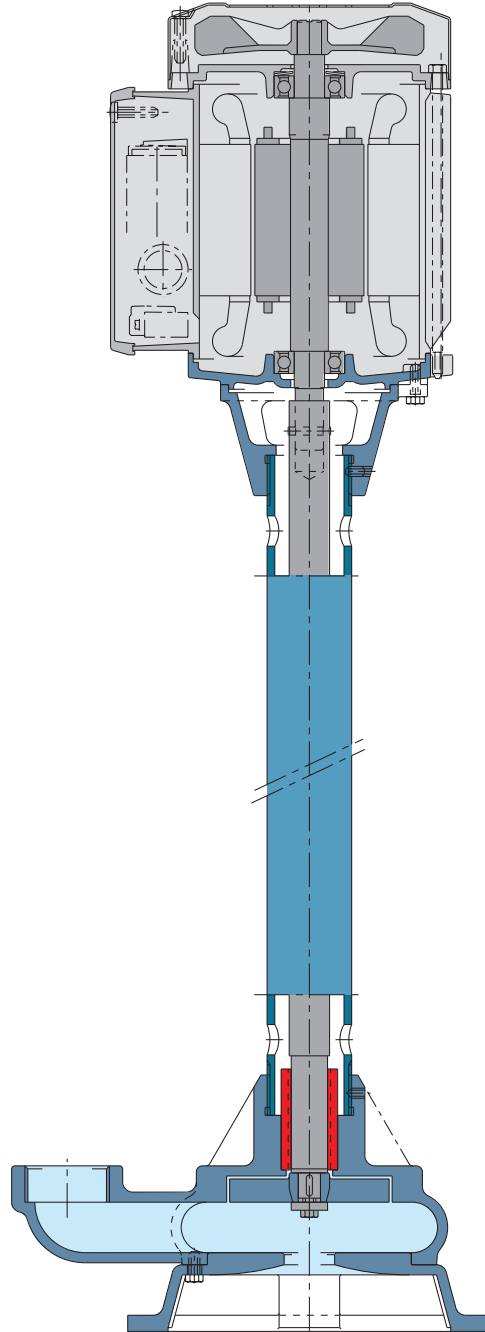
1) Float switch (on demand)

TYPE	DN ISO 228	mm										kg
		fM	M	h2	AD	a	L min	L max	l	l1	l2	
VAL 30/750/A	G 1 1/4	1025	200	82	111	120	150	750	180	90	148	17,8
VAL 30/1000/A		1275						1000				19,5
VAL 65/1000E		1245						950				40
VAL 65/1500E	G 2 1/2	1745	235	140	135	140	250	1450	175	88	195	48
VAL 65/2000E		2245						1950				56
VAL 65/2500E		2745						2450				64
VAL 65/1000-R/A	G 2 1/2	1285	275	140	135	140	250	950	175	88	195	43
VAL 65/1500-R/A		1785						1450				51
VAL 65/2000-R/A		2285						1950				59
VAL 65/2500-R/A	G 2 1/2	2785	275	140	135	140	250	2450	175	88	195	67
SC 30/500/A		765						455				17,4
SC 30/750/A		1015						705				19,6
SC 30/1000/A	G 1 1/4	1265	200	105	111	100	200	955	132	65	127	21,8
SC 30/1250/A		1515						1205				24
SC 50/500/A		780						470				18,5
SC 50/750/A	G 2	1030	200	120	111	120	215	720	173	86	157	20,7
SC 50/1000/A		1280						970				22,9
SC 50/1250/A		1530						1220				25,1

Characteristic curves $n \approx 2900$ rpm



Features



Range

The high number of pumps in the range can meet the widest range of services required by the user.

Construction with no mechanical seal

The absence of a mechanical seal minimizes the need for maintenance of the pumps.

Float switch

The pumps can be fitted with a float switch, eliminating the need for level control systems.