

# DGO

## Set-back vortex impeller

All product images are indicative only



### General characteristics

#### Set-back vortex impeller

motor power	0,37 ÷ 1,5 kW
poles	2 / 4
discharge	GAS 1½" ÷ 2½" vertical GAS 2" - DN50 horizontal DN65 - DN80 horizontal
free passage	max 80 mm
max flow rate	19.0 l/s
max head	17.3 m

### Electromechanical assembly

Electromechanical assembly in GJL-250 cast iron, for submerged operation. Seal set comprising 1 (one) silicon carbide mechanical seal and 1 (one) graphite alumina mechanical seal, installed opposing with oil lubrication. Oil bath motor.

### Applications

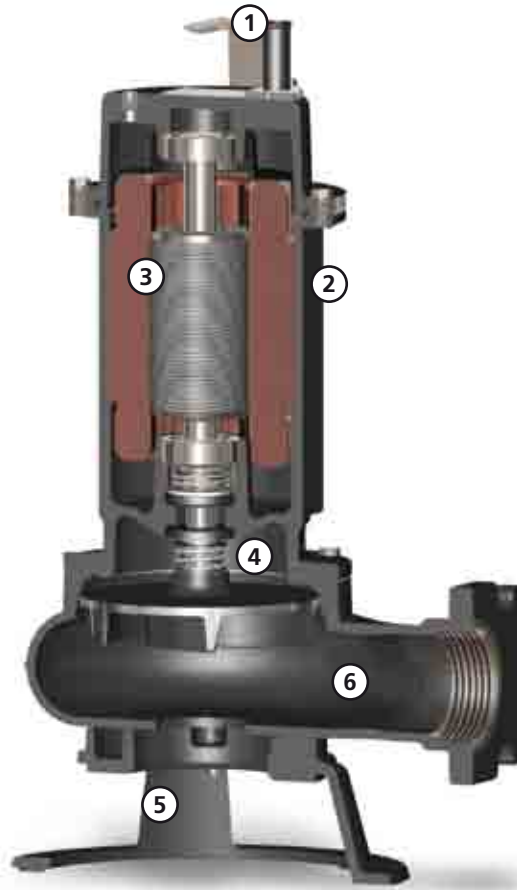
Suitable for heavy-duty applications with soiled biological wastewaters, sewage, rainwater and seepage.

### Construction materials

Case	Cast iron EN-GJL 250
Impeller	Cast iron EN-GJL-250
Nuts and bolts	Stainless steel - Class A2-70
Standard gasket	Rubber - NBR
Shaft	Stainless steel - AISI 420
Paint type	Ecological bicomponent epoxy (medium thickness 80 µm)
Set of standard mechanical seals	One silicon carbide mechanical seal (SiC) and one carbon-aluminium oxide mechanical seal (AL)

### Operating limits

Maximum operating temperature	40 °C
PH of treated fluid	6 ÷ 14
Viscosity of treated fluid	1 mm <sup>2</sup> /s
Maximum immersion depth	20 m
Density of treated fluid	1 Kg/dm <sup>3</sup>
Maximum acoustic pressure	70 dB
Max starts per hour	30



**Handle**  
AISI 304 stainless steel lifting and carrying handle.



**Structure**  
Constructed in GJL-250 cast iron.



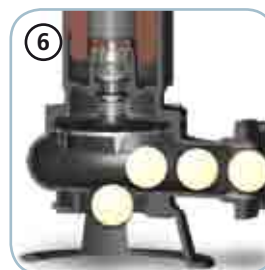
**Motor**  
Oil bath motor with thermal protections. Capacitor and overload protection in external cabinet.



**Mechanical seals**  
One mechanical seal in silicon carbide (SiC) and one mechanical seal in alumina graphite (AL).



**Discharge - support foot**  
Threaded, flanged discharge for the maximum ease of installation.



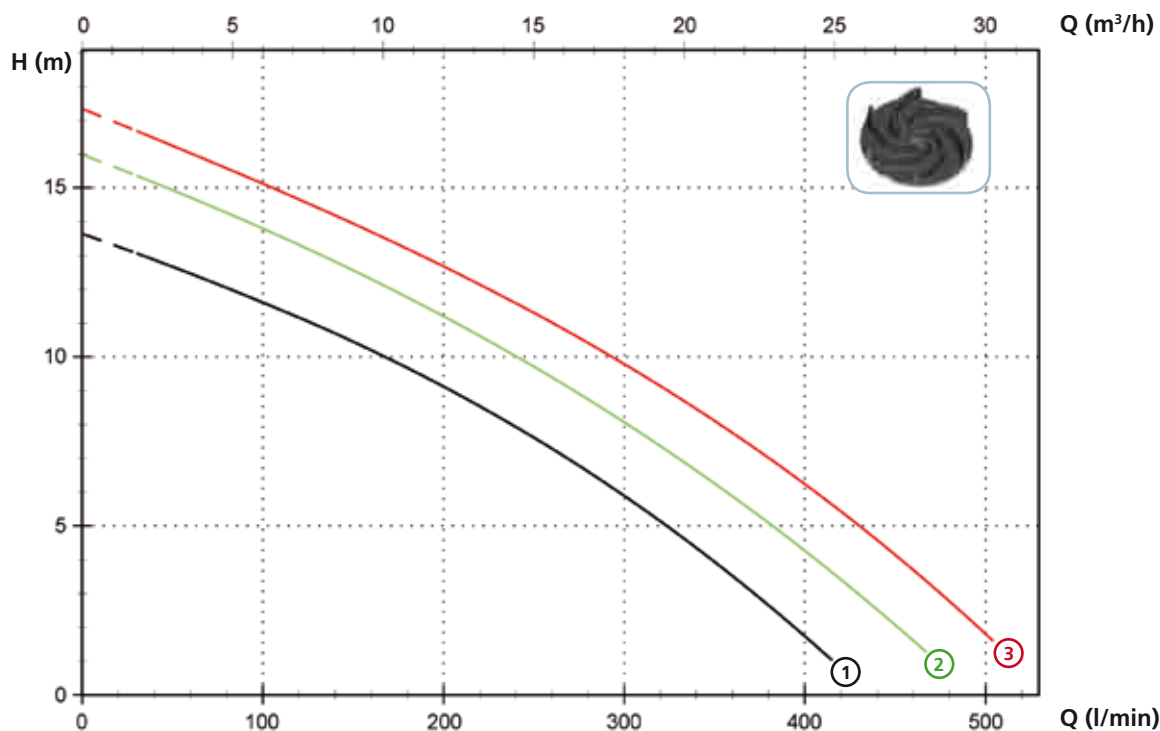
**Free passage**  
Wide free passage allowing the expulsion of solids and preventing fouling of the impeller.

# DGO

## Models with vertical GAS 1½" threaded discharge - 2 poles

### Performances

	l/s	0	2	4	6	8
	l/min	0	120	240	360	480
	m³/h	0	7.2	14.4	21.6	28.8
① DGO 100/2/G40V B1CM(T)/50		13.6	11.2	7.9	3.5	
② DGO 150/2/G40V B1CM(T)/50		16.0	13.3	10	5.9	
③ DGO 200/2/G40V B1CM(T)/50		17.3	14.7	11.6	7.8	2.8



### Technical data

	V	Phases	P1 (kW)	P2 (kW)	A	Rpm	Start	Ø	Free passage
① DGO 100/2/G40V B1CM/50	230	1	-	0.88	6.4	2900	Dir	G 1½"	40 mm
② DGO 150/2/G40V B1CM/50	230	1	-	1.1	8.3	2900	Dir	G 1½"	40 mm
③ DGO 200/2/G40V B1CM/50	230	1	-	1.5	9.6	2900	Dir	G 1½"	40 mm

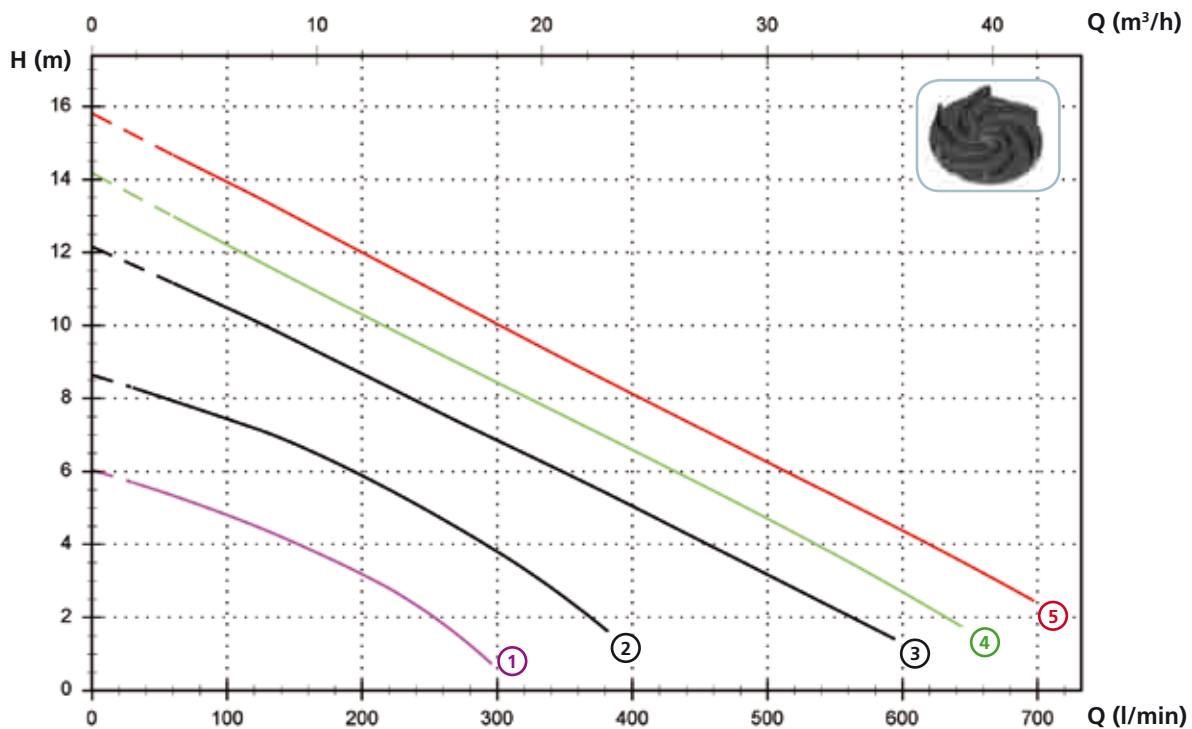
	V	Phases	P1 (kW)	P2 (kW)	A	Rpm	Start	Ø	Free passage
① DGO 100/2/G40V B1CT/50	400	3	-	0.88	2.3	2900	Dir	G 1½"	40 mm
② DGO 150/2/G40V B1CT/50	400	3	-	1.1	2.7	2900	Dir	G 1½"	40 mm
③ DGO 200/2/G40V B1CT/50	400	3	-	1.5	3.6	2900	Dir	G 1½"	40 mm

Models with vertical GAS 2" threaded discharge - 2 poles

Performances

l/s	0	2	4	6	8	10
l/min	0	120	240	360	480	600
m <sup>3</sup> /h	0	7.2	14.4	21.6	28.8	36.0

① DGO 50/2/G50V B0CM(T)/50	6.0	4.5	2.3			
② DGO 75/2/G50V B0CM(T)/50	8.6	7.2	5.1	2.3		
③ DGO 100/2/G50V B0CM(T)/50	12.2	10.1	7.9	5.8	3.6	
④ DGO 150/2/G50V B0CM(T)/50	14.2	11.8	9.5	7.3	5.1	2.7
⑤ DGO 200/2/G50V B0CM(T)/50	15.8	13.6	11.2	8.9	6.6	4.4



Technical data

	V	Phases	P1 (kW)	P2 (kW)	A	Rpm	Start	Ø	Free passage
① DGO 50/2/G50V B0CM/50	230	1	-	0.37	2.9	2900	Dir	G 2"	40 mm
② DGO 75/2/G50V B0CM/50	230	1	-	0.55	3.9	2900	Dir	G 2"	40 mm
③ DGO 100/2/G50V B0CM/50	230	1	-	0.88	6.9	2900	Dir	G 2"	50 mm
④ DGO 150/2/G50V B0CM/50	230	1	-	1.1	8.7	2900	Dir	G 2"	50 mm
⑤ DGO 200/2/G50V B0CM/50	230	1	-	1.5	10.4	2900	Dir	G 2"	50 mm

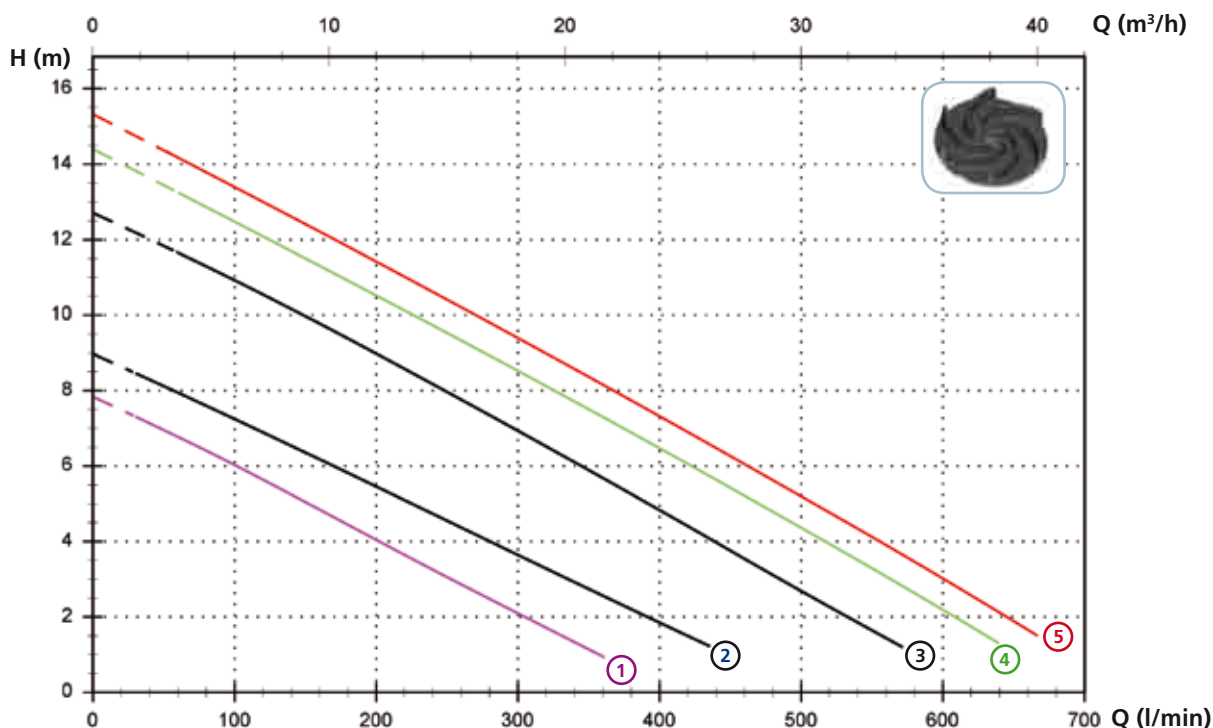
	V	Phases	P1 (kW)	P2 (kW)	A	Rpm	Start	Ø	Free passage
① DGO 50/2/G50V B0CT/50	400	3	-	0.37	1.1	2900	Dir	G 2"	40 mm
② DGO 75/2/G50V B0CT/50	400	3	-	0.55	1.4	2900	Dir	G 2"	40 mm
③ DGO 100/2/G50V B0CT/50	400	3	-	0.88	2.3	2900	Dir	G 2"	50 mm
④ DGO 150/2/G50V B0CT/50	400	3	-	1.1	2.7	2900	Dir	G 2"	50 mm
⑤ DGO 200/2/G50V B0CT/50	400	3	-	1.5	3.6	2900	Dir	G 2"	50 mm

# DGO

## Models with horizontal GAS 2" threaded - DN50 PN10-16 flanged discharge - 2 poles

### Performances

	l/s	0	2	4	6	8	10
	l/min	0	120	240	360	480	600
	m <sup>3</sup> /h	0	7.2	14.4	21.6	28.8	36.0
①	DGO 50/2/G50H A1CM(T)/50	7.8	5.6	3.3	1.0		
②	DGO 75/2/G50H A1CM(T)/50	9.0	6.9	4.7	2.6		
③	DGO 100/2/G50H A0CM(T)/50	12.7	10.6	8.2	5.7	3.1	
④	DGO 150/2/G50H A0CM(T)/50	14.4	12.1	9.7	7.3	4.8	2.2
⑤	DGO 200/2/G50H A0CM(T)/50	15.3	13.0	10.6	8.2	5.6	3.0



### Technical data

	V	Phases	P1 (kW)	P2 (kW)	A	Rpm	Start	Ø	Free passage	
①	DGO 50/2/G50H A1CM/50	230	1	-	0.37	2.9	2900	Dir	G 2" - DN50 PN10-16	40 mm
②	DGO 75/2/G50H A1CM/50	230	1	-	0.55	3.9	2900	Dir	G 2" - DN50 PN10-16	40 mm
③	DGO 100/2/G50H A0CM/50	230	1	-	0.88	6.5	2900	Dir	G 2" - DN50 PN10-16	50 mm
④	DGO 150/2/G50H A0CM/50	230	1	-	1.1	8.2	2900	Dir	G 2" - DN50 PN10-16	50 mm
⑤	DGO 200/2/G50H A0CM/50	230	1	-	1.5	9.3	2900	Dir	G 2" - DN50 PN10-16	50 mm

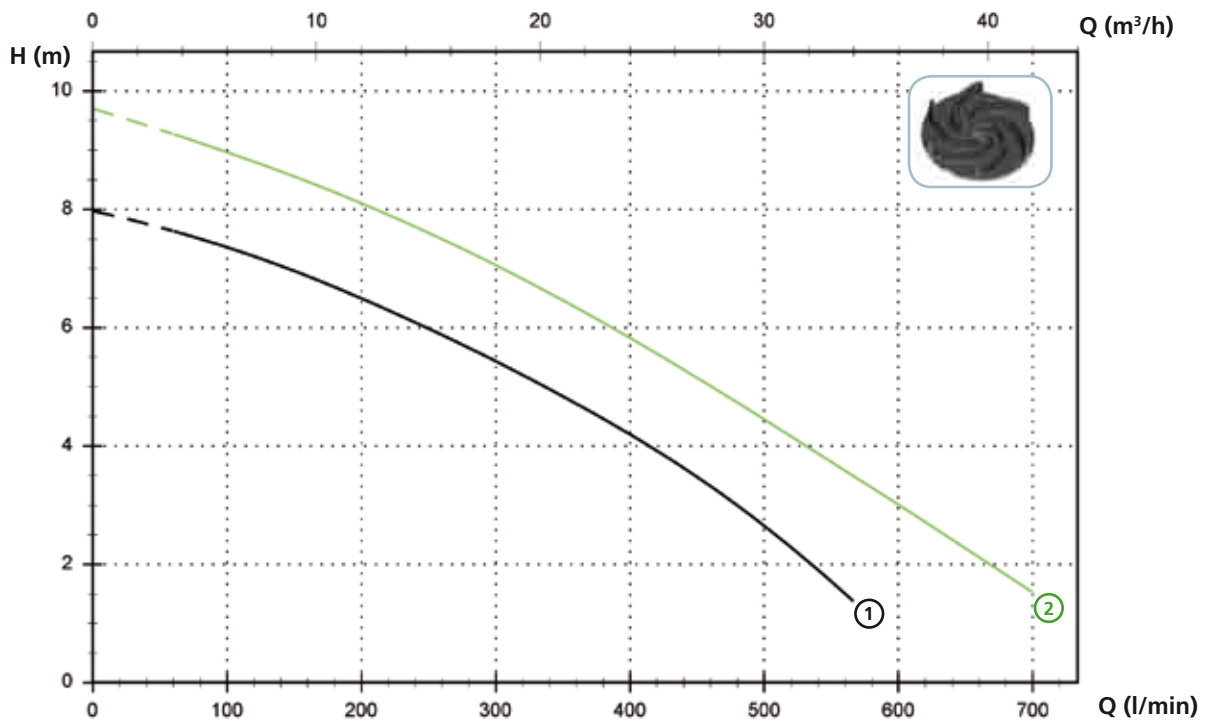
  

	V	Phases	P1 (kW)	P2 (kW)	A	Rpm	Start	Ø	Free passage	
①	DGO 50/2/G50H A1CT/50	400	3	-	0.37	1.1	2900	Dir	G 2" - DN50 PN10-16	40 mm
②	DGO 75/2/G50H A1CT/50	400	3	-	0.55	1.4	2900	Dir	G 2" - DN50 PN10-16	40 mm
③	DGO 100/2/G50H A0CT/50	400	3	-	0.88	2.3	2900	Dir	G 2" - DN50 PN10-16	50 mm
④	DGO 150/2/G50H A0CT/50	400	3	-	1.1	2.6	2900	Dir	G 2" - DN50 PN10-16	50 mm
⑤	DGO 200/2/G50H A0CT/50	400	3	-	1.5	3.6	2900	Dir	G 2" - DN50 PN10-16	50 mm

Models with vertical GAS 2½" threaded discharge - 2 poles

Performances

	<i>l/s</i>	0	2	4	6	8	10
	<i>l/min</i>	0	120	240	360	480	600
	<i>m³/h</i>	0	7.2	14.4	21.6	28.8	36.0
①	DGO 150/2/G65V A1CM(T)/50	8.0	7.2	6.1	4.7	3.0	
②	DGO 200/2/G65V A1CM(T)/50	9.7	8.8	7.7	6.3	4.7	3.0



Technical data

	V	Phases	P1 (kW)	P2 (kW)	A	Rpm	Start	Ø	Free passage	
①	DGO 150/2/G65V A1CM/50	230	1	-	1.1	8.2	2900	Dir	G 2½"	65 mm
②	DGO 200/2/G65V A1CM/50	230	1	-	1.5	9.9	2900	Dir	G 2½"	65 mm

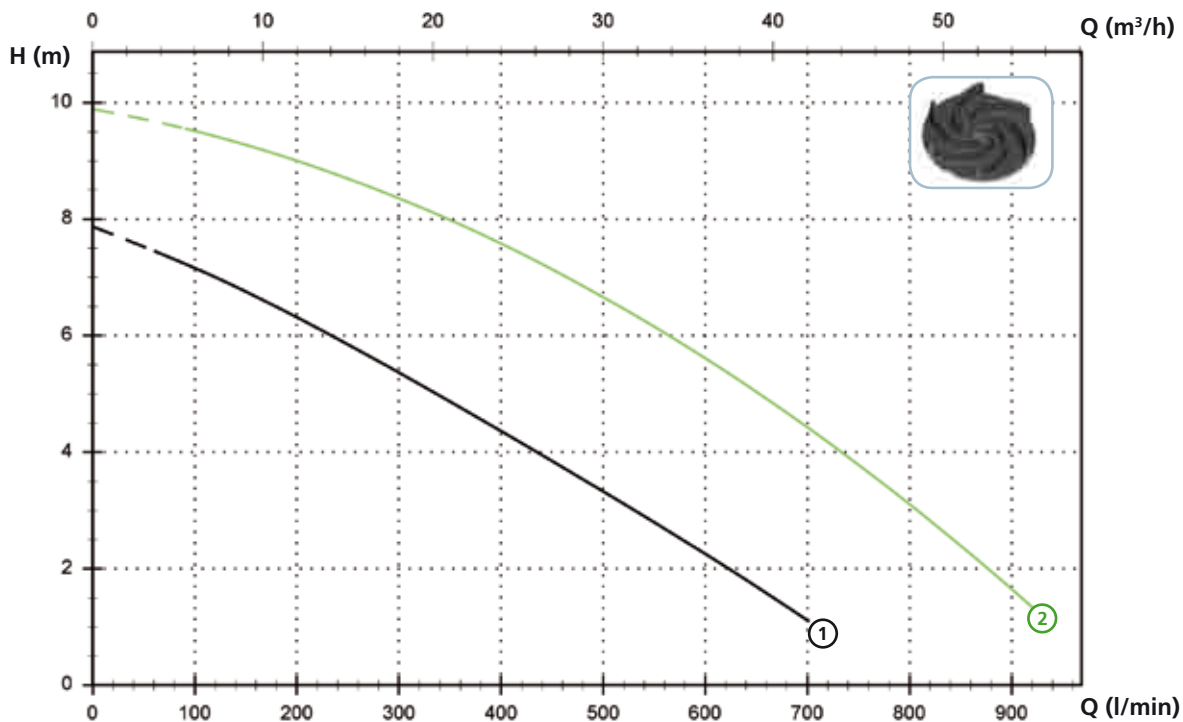
	V	Phases	P1 (kW)	P2 (kW)	A	Rpm	Start	Ø	Free passage	
①	DGO 150/2/G65V A1CT/50	400	3	-	1.1	2.7	2900	Dir	G 2½"	65 mm
②	DGO 200/2/G65V A1CT/50	400	3	-	1.5	3.6	2900	Dir	G 2½"	65 mm

# DGO

## Models with horizontal DN65 PN10-16 flanged discharge - 2 poles

### Performances

	l/s	0	2	4	6	8	10	12	14
	l/min	0	120	240	360	480	600	720	840
	m <sup>3</sup> /h	0	7.2	14.4	21.6	28.8	36.0	43.2	50.4
① DGO 150/2/65 A1CM(T)/50		7.9	7.0	5.9	4.8	3.5	2.3		
② DGO 200/2/65 A1CM(T)/50		9.9	9.4	8.8	7.9	6.9	5.6	4.2	2.5



### Technical data

	V	Phases	P1 (kW)	P2 (kW)	A	Rpm	Start	Ø	Free passage
① DGO 150/2/65 A1CM/50	230	1	-	1.1	8.2	2900	Dir	DN65 PN10-16	65 mm
② DGO 200/2/65 A1CM/50	230	1	-	1.5	9.9	2900	Dir	DN65 PN10-16	65 mm

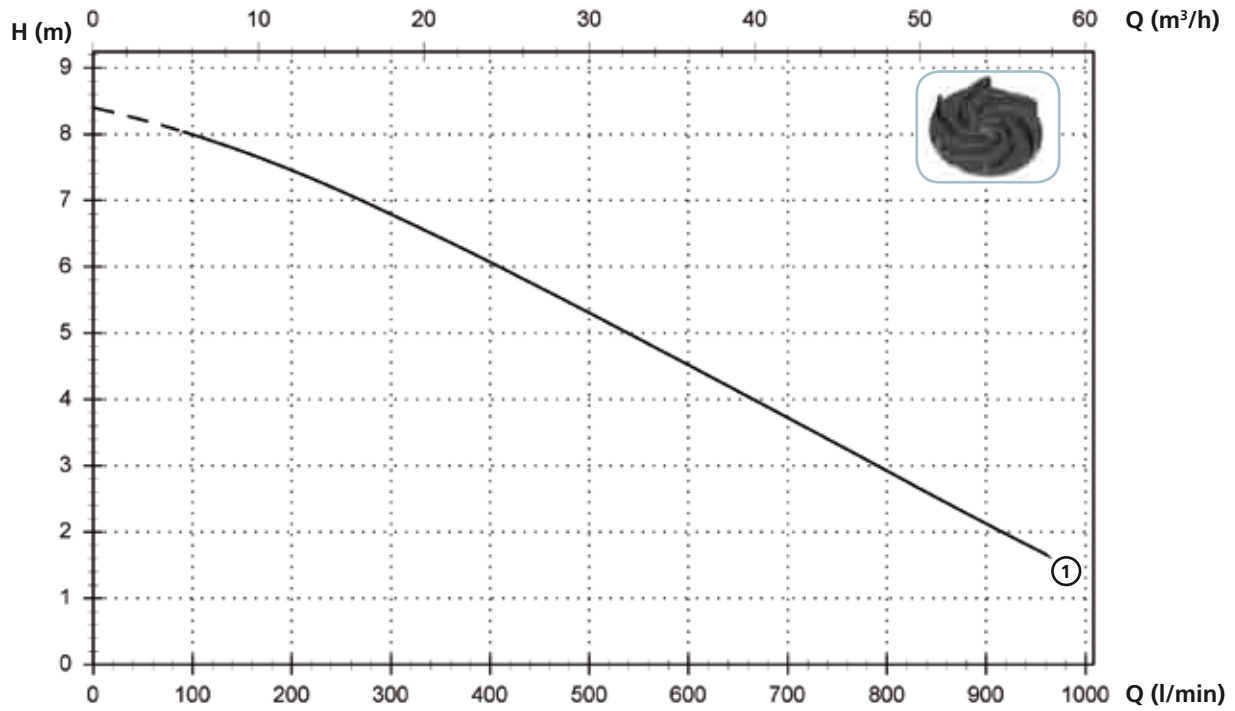
	V	Phases	P1 (kW)	P2 (kW)	A	Rpm	Start	Ø	Free passage
① DGO 150/2/65 A1CT/50	400	3	-	1.1	2.7	2900	Dir	DN65 PN10-16	65 mm
② DGO 200/2/65 A1CT/50	400	3	-	1.5	3.6	2900	Dir	DN65 PN10-16	65 mm

**Models with horizontal DN80 PN10-16 flanged discharge - 2 poles**

**Performances**

<i>l/s</i>	0	2	4	6	8	10	12	14	16
<i>l/min</i>	0	120	240	360	480	600	720	840	960
<i>m³/h</i>	0	7.2	14.4	21.6	28.8	36.0	43.2	50.4	57.6

① DGO 200/2/80 A1CM(T)/50	8.4	7.9	7.2	6.4	5.5	4.5	3.6	2.6	1.7
---------------------------	-----	-----	-----	-----	-----	-----	-----	-----	-----



**Technical data**

	V	Phases	P1 (kW)	P2 (kW)	A	Rpm	Start	Ø	Free passage
① DGO 200/2/80 A1CM/50	230	1	-	1.7	11.2	2900	Dir	DN80 PN10-16	80 mm
	V	Phases	P1 (kW)	P2 (kW)	A	Rpm	Start	Ø	Free passage
① DGO 200/2/80 A1CT/50	400	3	-	1.7	3.9	2900	Dir	DN80 PN10-16	80 mm

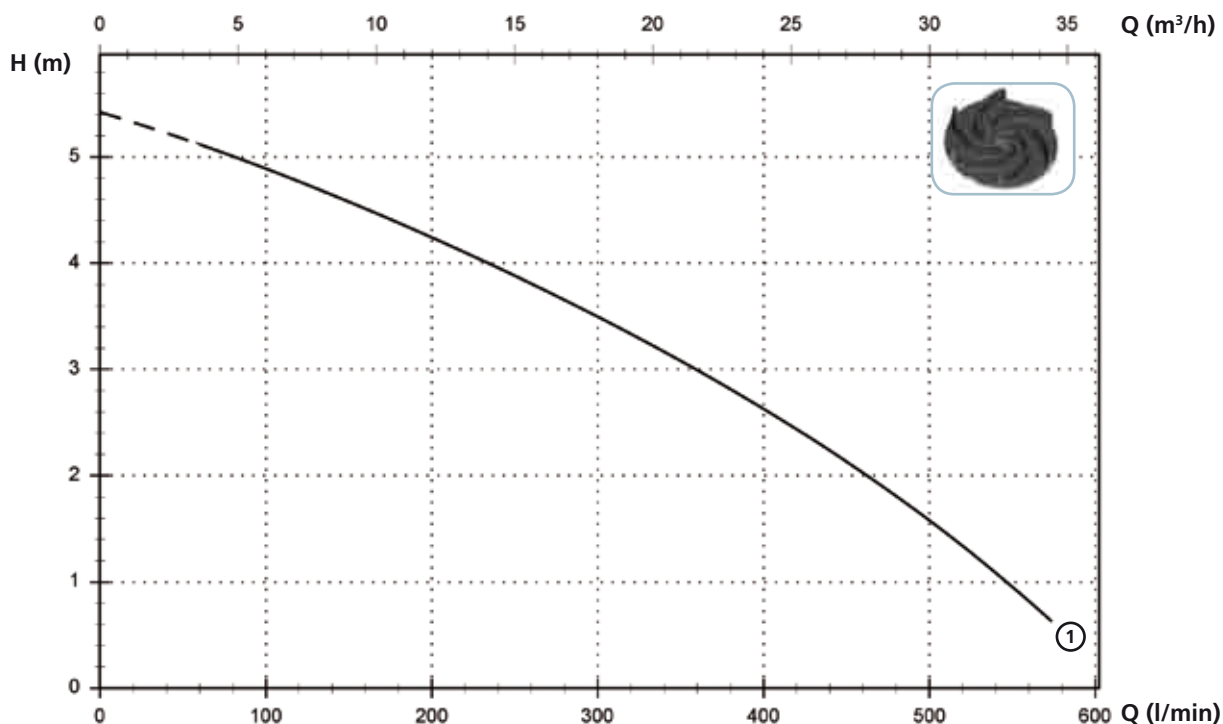


# DGO

## Models with horizontal GAS 2" threaded discharge - 4 poles

### Performances

	l/s	0	1	2	3	4	5	6	7	8	9
	l/min	0	60	120	180	240	300	360	420	480	540
	m <sup>3</sup> /h	0	3.6	7.2	10.8	14.4	18.0	21.6	25.2	28.8	32.4
① DGO 100/4/G50V B0CM(T)/50		5.4	5.1	4.8	4.4	4.0	3.5	3.0	2.4	1.8	1.1



### Technical data

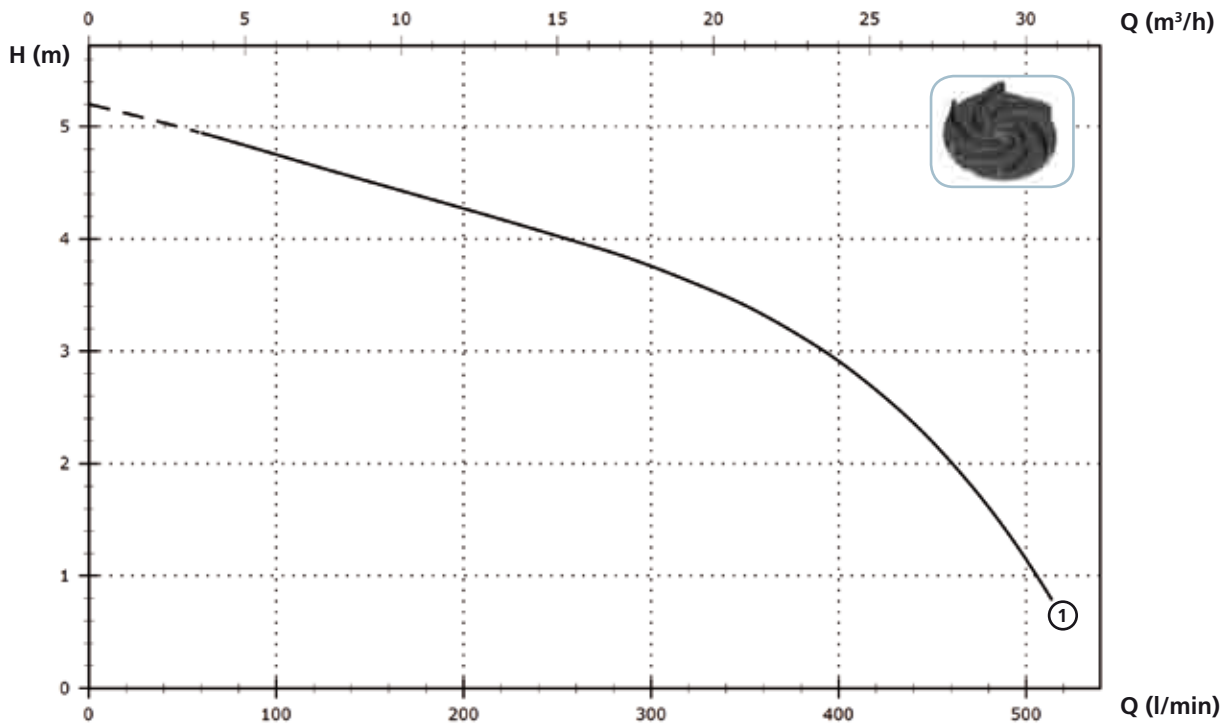
	V	Phases	P1 (kW)	P2 (kW)	A	Rpm	Start	Ø	Free passage
① DGO 100/4/G50V B0CM/50	230	1	-	0.7	4.5	1450	Dir	G 2"	45 mm
	V	Phases	P1 (kW)	P2 (kW)	A	Rpm	Start	Ø	Free passage
① DGO 100/4/G50V B0CT/50	400	3	-	0.7	1.6	1450	Dir	G 2"	45 mm

**Models with horizontal GAS 2" threaded - DN50 PN10 flanged discharge - 4 poles**

**Performances**

<i>l/s</i>	0	1	2	3	4	5	6	7	8
<i>l/min</i>	0	60	120	180	240	300	360	420	480
<i>m³/h</i>	0	3.6	7.2	10.8	14.4	18	21.6	25.2	28.8

① DGO 100/4/G50H A0CM(T)/50	5.2	4.9	4.7	4.4	4.1	3.8	3.3	2.7	1.6
-----------------------------	-----	-----	-----	-----	-----	-----	-----	-----	-----



**Technical data**

	V	Phases	P1 (kW)	P2 (kW)	A	Rpm	Start	Ø	Free passage
① DGO 100/4/G50H A0CM/50	230	1	-	0.7	5.7	1450	Dir	G 2" DN50 PN10	45 mm

	V	Phases	P1 (kW)	P2 (kW)	A	Rpm	Start	Ø	Free passage
① DGO 100/4/G50H A0CT/50	400	3	-	0.7	2.2	1450	Dir	G 2" DN50 PN10	45 mm

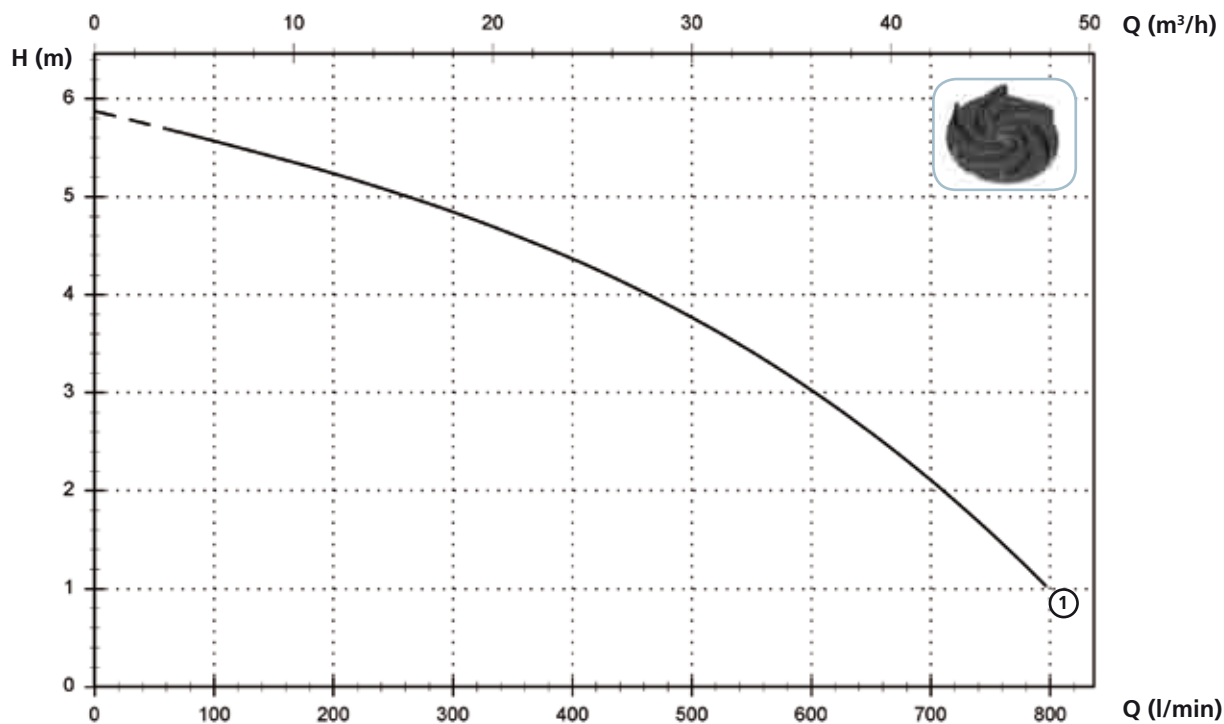
# DGO

## Models with horizontal DN65 PN10-16 flanged discharge - 4 poles

### Performances

<i>l/s</i>	0	2	4	6	8	10	12
<i>l/min</i>	0	120	240	360	480	600	720
<i>m³/h</i>	0	7.2	14.4	21.6	28.8	36.0	43.2

① DGO 150/4/65 A0CM(T)/50	5.9	5.5	5.1	4.6	3.9	3.0	1.9
---------------------------	-----	-----	-----	-----	-----	-----	-----



### Technical data

	V	Phases	P1 (kW)	P2 (kW)	A	Rpm	Start	Ø	Free passage
① DGO 150/4/65 A0CM/50	230	1	-	0.9	7.5	1450	Dir	DN65 PN10-16	45 mm

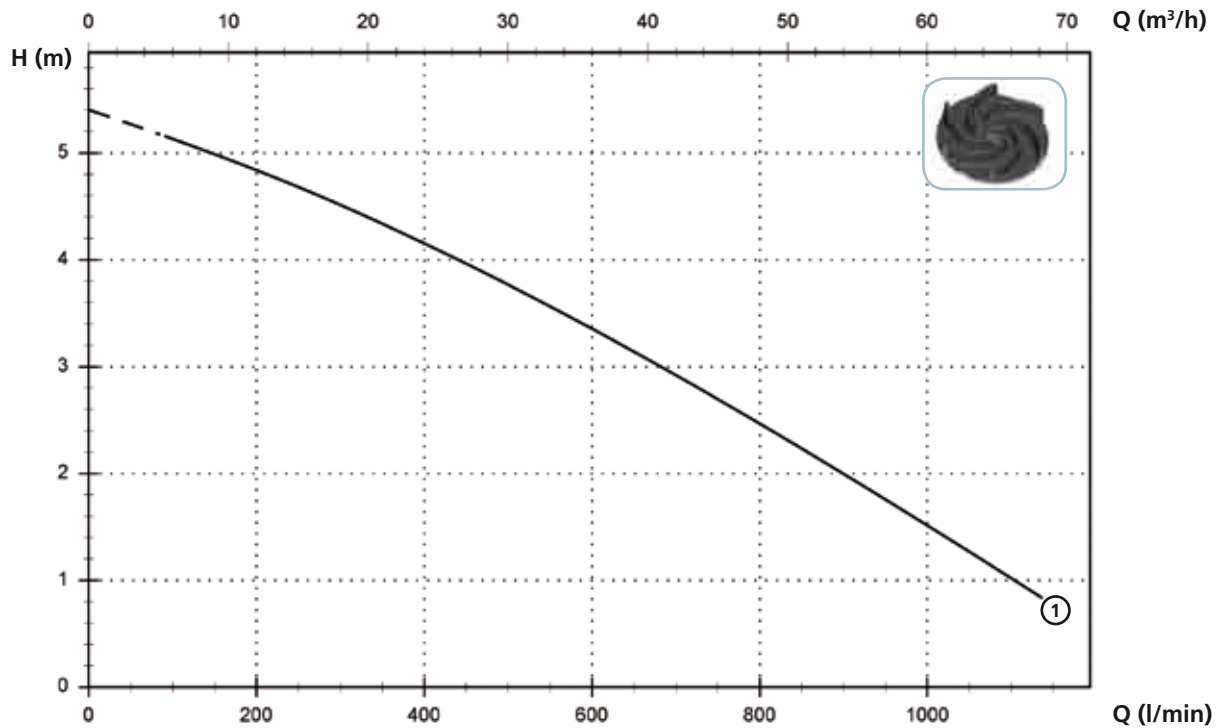
	V	Phases	P1 (kW)	P2 (kW)	A	Rpm	Start	Ø	Free passage
① DGO 150/4/65 A0CT/50	400	3	-	0.9	2.8	1450	Dir	DN65 PN10-16	45 mm

**Models with horizontal DN80 PN10-16 flanged discharge - 4 poles**

**Performances**

<i>l/s</i>	0	2	4	6	8	10	12	14	16	18
<i>l/min</i>	0	120	240	360	480	600	720	840	960	1080
<i>m<sup>3</sup>/h</i>	0	7.2	14.4	21.6	28.8	36.0	43.2	50.4	57.6	64.8

① DGO 150/4/80 A0CM(T)/50	5.4	5.1	4.7	4.3	3.8	3.4	2.8	2.3	1.7	1.1
---------------------------	-----	-----	-----	-----	-----	-----	-----	-----	-----	-----



**Technical data**

	V	Phases	P1 (kW)	P2 (kW)	A	Rpm	Start	Ø	Free passage
① DGO 150/4/80 A0CM/50	230	1	-	0.9	7.5	1450	Dir	DN80 PN10-16	60 mm
	V	Phases	P1 (kW)	P2 (kW)	A	Rpm	Start	Ø	Free passage
① DGO 150/4/80 A0CT/50	400	3	-	0.9	2.8	1450	Dir	DN80 PN10-16	60 mm

# DGO

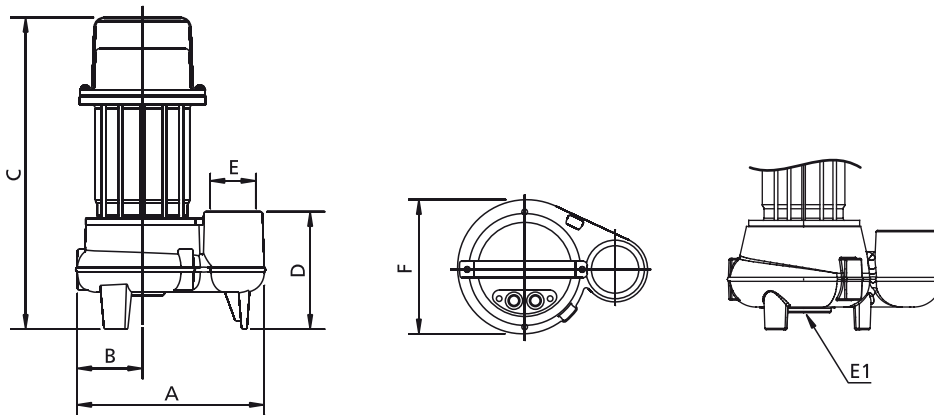
## Versions available

(Key to versions on page 16)

	Electrical variants											Cooling				Mechanical seals				
	N A E	T	T C	T C D	T C D T	T C D G T	T C G	T C S T	T C S G T	T S	T R	T R G	N	CC CCE	FT	C G F T	2SIC	SICM	SICAL	2SICAL
DGO 100/2/G40V B1CM/50		●						●	●				●						●	
DGO 150/2/G40V B1CM/50		●						●	●				●						●	
DGO 200/2/G40V B1CM/50		●						●	●				●						●	
DGO 100/2/G40V B1CT/50	●												●						●	
DGO 150/2/G40V B1CT/50	●												●						●	
DGO 200/2/G40V B1CT/50	●												●						●	
DGO 50/2/G50V B0CM/50		●						●	●				●						●	
DGO 75/2/G50V B0CM/50		●						●	●				●						●	
DGO 100/2/G50V B0CM/50		●						●	●				●						●	
DGO 150/2/G50V B0CM/50		●						●	●				●						●	
DGO 200/2/G50V B0CM/50		●						●	●				●						●	
DGO 50/2/G50V B0CT/50	●												●						●	
DGO 75/2/G50V B0CT/50	●												●						●	
DGO 100/2/G50V B0CT/50	●												●						●	
DGO 150/2/G50V B0CT/50	●												●						●	
DGO 200/2/G50V B0CT/50	●												●						●	
DGO 50/2/G50H A1CM/50		●						●	●				●						●	
DGO 75/2/G50H A1CM/50		●						●	●				●						●	
DGO 100/2/G50H A0CM/50		●						●	●				●						●	
DGO 150/2/G50H A0CM/50		●						●	●				●						●	
DGO 200/2/G50H A0CM/50		●						●	●				●						●	
DGO 50/2/G50H A1CT/50	●												●						●	
DGO 75/2/G50H A1CT/50	●												●						●	
DGO 100/2/G50H A0CT/50	●												●						●	
DGO 150/2/G50H A0CT/50	●												●						●	
DGO 200/2/G50H A0CT/50	●												●						●	
DGO 150/2/G65V A1CM/50		●						●	●				●						●	
DGO 200/2/G65V A1CM/50		●						●	●				●						●	
DGO 150/2/G65V A1CT/50	●												●						●	
DGO 200/2/G65V A1CT/50	●												●						●	
DGO 150/2/65 A1CM/50		●						●	●				●						●	
DGO 200/2/65 A1CM/50		●						●	●				●						●	
DGO 150/2/65 A1CT/50	●												●						●	
DGO 200/2/65 A1CT/50	●												●						●	
DGO 200/2/80 A1CM/50		●						●	●				●						●	
DGO 200/2/80 A1CT/50	●												●						●	
DGO 100/4/G50V B0CM/50		●						●	●				●						●	
DGO 100/4/G50V B0CT/50	●												●						●	
DGO 100/4/G50H A0CM/50		●						●	●				●						●	
DGO 100/4/G50H A0CT/50	●												●						●	
DGO 150/4/65 A0CM/50		●						●	●				●						●	
DGO 150/4/65 A0CT/50	●												●						●	
DGO 150/4/80 A0CM/50		●						●	●				●						●	
DGO 150/4/80 A0CT/50	●												●						●	

Overall dimensions and weights

Models with vertical discharge

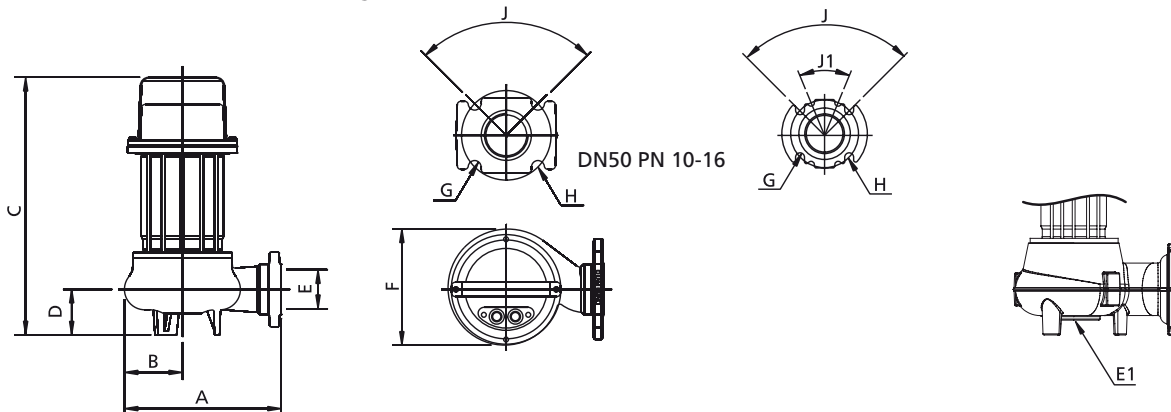


	A	B	C	D	E	E1	F	kg
DGO 100/2/G40V B1CM(T)/50	260	100	440	125	G 1½"	-	205	18
DGO 150/2/G40V B10CM(T)/50	260	100	440	125	G 1½"	-	205	19
DGO 200/2/G40V B1CM(T)/50	260	100	440	125	G 1½"	-	205	20
DGO 50/2/G50V B0CM(T)/50	230	80	380	120	G 2"	-	165	16.5
DGO 75/2/G50V B0CM(T)/50	230	80	380	120	G 2"	-	165	16.5
DGO 100/2/G50V B0CM(T)/50	270	100	455	130	G 2"	-	205	19.5
DGO 150/2/G50V B0CM(T)/50	270	100	455	130	G 2"	-	205	20.5
DGO 200/2/G50V B0CM(T)/50	270	100	455	130	G 2"	-	205	21.5
DGO 150/2/G65V A1CM(T)/50	300	105	435	140	G 2½"	3xM8 Ø160	210	21
DGO 200/2/G65V A1CM(T)/50	300	105	435	140	G 2½"	3xM8 Ø160	210	22
DGO 100/4/G50V B0CM(T)/50	270	100	455	130	G 2"	-	205	21

Dimensions in mm

All weights and dimensions are indicative only

Models with horizontal discharge



	A	B	C	D	E	E1	F	G	H	J	J1	kg
DGO 50/2/G50H A1CM(T)/50	220	80	360	65	G 2" - DN50	-	160	18	125	90°	-	16.5
DGO 75/2/G50H A1CM(T)/50	220	80	360	65	G 2" - DN50	-	160	18	125	90°	-	16.5
DGO 100/2/G50H A0CM(T)/50	270	110	455	110	G 2" - DN50	-	205	18	125	90°	-	19.5
DGO 150/2/G50H A0CM(T)/50	270	110	455	110	G 2" - DN50	-	205	18	125	90°	-	20.5
DGO 200/2/G50H A0CM(T)/50	270	110	455	110	G 2" - DN50	-	205	18	125	90°	-	21.5
DGO 150/2/65 A1CM(T)/50	295	110	435	70	65	3xM8 Ø160	210	18	145	90°	-	22
DGO 200/2/65 A1CM(T)/50	295	110	435	70	65	3xM8 Ø160	210	18	145	90°	-	23
DGO 200/2/80 A1CM(T)/50	290	105	450	80	80	3xM8 Ø160	210	18	160	90°	45°	23
DGO 100/4/G50H A0CM(T)/50	270	110	450	110	G 2" - DN50	-	205	18	125	90°	-	21
DGO 150/4/65 A0CM(T)/50	270	110	450	105	65	-	220	18	145	90°	-	27
DGO 150/4/80 A0CM(T)/50	270	115	480	125	80	-	225	18	160	90°	-	29

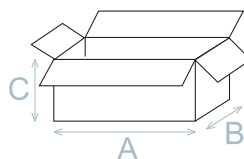
Dimensions in mm

All weights and dimensions are indicative only

# DGO

## Packaging dimension

	A	B	C
DGO 100/2/G40V B1CM(T)/50	475	285	235
DGO 150/2/G40V B1CM(T)/50	475	285	235
DGO 200/2/G40V B1CM(T)/50	475	285	235
DGO 50/2/G50V B0CM(T)/50	385	225	245
DGO 75/2/G50V B0CM(T)/50	385	225	245
DGO 100/2/G50V B0CM(T)/50	475	285	235
DGO 150/2/G50V B0CM(T)/50	475	285	235
DGO 200/2/G50V B0CM(T)/50	475	285	235
DGO 50/2/G50H A1CM(T)/50	385	225	245
DGO 75/2/G50H A1CM(T)/50	385	225	245
DGO 100/2/G50H A0CM(T)/50	475	285	235
DGO 150/2/G50H A0CM(T)/50	475	285	235
DGO 200/2/G50H A0CM(T)/50	475	285	235
DGO 150/2/G65V A1CM(T)/50	475	285	235
DGO 200/2/G65V A1CM(T)/50	475	285	235
DGO 150/2/65 A1CM(T)/50	580	310	310
DGO 200/2/65 A1CM(T)/50	580	310	310
DGO 200/2/80 A1CM(T)/50	580	310	310
DGO 100/4/G50V B0CM(T)/50	475	285	235
DGO 100/4/G50H A0CM(T)/50	475	285	235
DGO 150/4/65 A0CM(T)/50	580	310	310
DGO 150/4/80 A0CM(T)/50	580	310	310



Dimensions in mm

All weights and dimensions are indicative only

## No. pieces per pallet

For DGO 50-75 models each pallet (EUR 1000x1200 mm) is able to take 48 pieces.

For DGO 100-150-200 models each pallet (EUR 1000x1200 mm) is able to take 32 pieces.

## Installations available

